



**BDMI Sensor**  
Shown with rigid,  
metal tubing in place

**Introtek's BDMI Series integrated clamp-on sensor is designed to detect air-in-line and liquid level in rigid tubing.**

These sensors represent the latest generation non-invasive Liquid Level Sensors, incorporating integrated Introtek circuitry within a new, sleek compact design. The BDMI series of sensors are designed to work with a wide range of tubing sizes and materials and is recommended for applications where a mounting base is not a requirement.

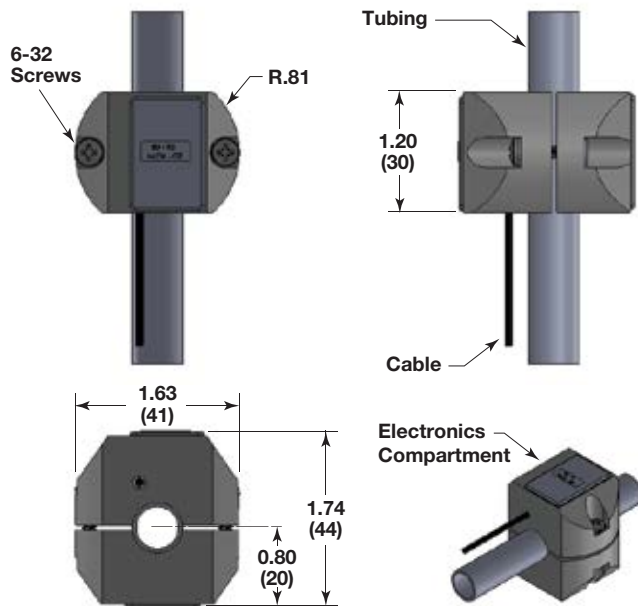
Introtek air bubble detectors and liquid level sensors utilize high-frequency acoustic energy to monitor tubing or vessels for the presence of air, foam or liquid.

### PRODUCT HIGHLIGHTS

- Non-invasive technology does not contact the fluid or require a break in the tubing
- Low cost, premium performance
- Sleek, compact design
- Integrated Electronics
- Not affected by fluid color or tubing material
- Custom power input and output options available
- No field calibration is required

### APPLICATIONS

- Air-in-line and liquid level sensing
- Patient-connected medical devices, including:
  - Apheresis
  - Heart-lung bypass
  - Auto-transfusion
  - Dialysis
  - Infusion pumps
- Chromatography and separations technology
- Immunoassay and diagnostic equipment
- Liquid and chemical dispensing
- Blood processing equipment



**BDMI Sensor Dimensions**  
inches (mm)

## The Introtek Advantage

provides products of unsurpassed quality, functionality and dependability that are manufactured to the highest medical device standards and backed by a three-year warranty.

### Certifications



## Functional Specifications

### Sensor

BDRI Sensors are cast of a rigid epoxy resin and work well with rigid or less pliable tubing. Clamp-on style sensors must be sized to the exact tubing outside dimensions. It may be necessary to provide a tubing sample in order to provide an air detection system that meets application specifications.

The BDRI sensor works well as a dry-line sensor for many types of thin wall metal tubing with an outside diameter of 0.5 inches or greater. Due to the widely varying acoustic characteristics of metal tubing, we will require a tubing sample.

### Application

Since clamp-on style sensors are a rigid epoxy resin and are typically used with a rigid, less pliable tubing, it may be necessary to utilize the aid of a coupling agent to improve acoustic coupling. Typical coupling agents may include petroleum jelly, silicon grease, or teflon tape.

### Calibration

No field calibration is required.

### Temperature limits

Operating: +41 to +140 °F (+5 to +60 °C)

Storage: -4 to +185 °F (-20 to +85 °C)

### Input Voltage Options

5V, 12V or 24V

### Humidity

0 to 95% Non-Condensing

## Sensor Part Number

Please contact an Introtek Application Specialist to determine the optimal configuration for your application.

## Options

- Reverse logic output
- Custom response times
- Open collector output
- Custom OEM designs
- Analog output (plastic tubes)

## Validation Testing

The Clamp-on Sensor was designed to be tested in conjunction with the following specifications:

### Electrical Fast Transients

IEC 61000-4-4:2012

### Radiated Emissions, Group 1, Class B

CISPR 11

### Electrostatic Discharge

IEC 61000-4-2:2008

### Radiated Immunity

IEC 61000-4-3:2002

### Power Frequency Magnetic Fields

Performed per IEC 60601-1-2:2014 (4th Edition)

### General Safety Requirements

IEC 60601-1:2005+A1:2012 (E)

## Three-Year Warranty

All Introtek systems are warranted free of defects in materials or workmanship for three full years from the date of original factory shipment.

If returned within the warranty period, with no modifications to the sensor; the original manufacturing label intact; and, upon factory inspection of the unit, the cause of the malfunction is determined to be defective material or workmanship; Introtek will repair or replace the system at no cost to the purchaser (or owner) other than transportation. **If a unit is returned without an original label, the warranty is void.**

Introtek shall not be liable for misapplication, labor claims, direct or consequential damage or expense arising from the installation or use of the equipment. There are no other warranties expressed or implied except special written warranties covering some Introtek products.

# INTROTEK®

Excellence in Ultrasonic Technology™

Introtek International, L.P., Subsidiary of Magnetrol International, Incorporated  
150 Executive Drive • Edgewood, New York 11717-9998 • 631-242-5425 • Fax 631-242-5260  
www.introtek.com • info@introtek.com

©2020 Introtek International, L.P.  
Magnetrol, Introtek, and Introtek logotype are registered trademarks of Magnetrol International.

Performance specifications are effective with date of issue and are subject to change without notice

**Bulletin: 90-163.0**  
**Effective: October 2020**